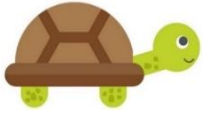


# SHELLBY'S CHALLENGES



Hi everyone,

I would REALLY like you to join me as I take on some turtle-y cool challenges.

Every challenge is worth 10 points.

How many did you complete?

What is your total score?

Shellby, the Terrific Turtle.



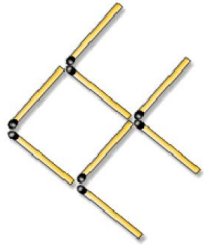
Y B L L E H S  
S U N D A M T  
W G R E V I R  
I S Z Y C R E  
M E G G S K A  
E L T R U T M

**Challenge:** Can you find these words?

SHELLBY SWIM STREAM NECK RIVER  
BUGS TURTLE DAM EGGS

## Shellby's fishy challenge!

You can only move three match sticks to turn the fish around to face Shellby. Good luck! (No overlapping)



Super sweet Shellby swims swiftly through the shimmering stream to snatch scrumptious snails.

**Challenge:**

Try to say this tongue-twister five times in a row as quickly as you can!

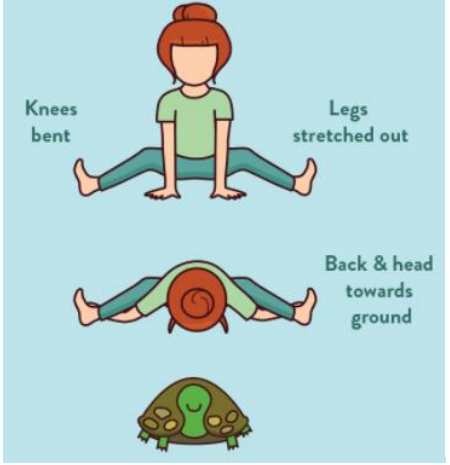


How many 'S's can you count? \_\_\_\_\_

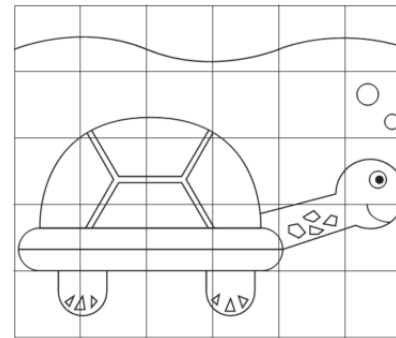
## Meet my friends, Speedy and Slow-mo!

**Challenge:** Use egg cartons to make and decorate some turtle friends for Shellby.

What did you name your turtle? \_\_\_\_\_



Be a turtle!  
**CHALLENGE:** move and stretch your body to look like Shellby.



**Challenge:**

Can you enlarge Shellby?

Hint: use the squares as a guide.


## CHALLENGE!

Which of these words goes where?

snails healthy snake

- Shellby is an Eastern \_\_\_\_\_ - necked turtle.
- Shellby lives in \_\_\_\_\_ waterways.
- Shellby loves to eat \_\_\_\_\_.



ERTLETU

VIRRE

ADM

MSIW

Challenge:

Can you help unscramble Shellby's mixed up words?